



This 31m spider weighs only 4300kg with all features (including dual power and expandable tracks!) which means it is very suited for use on load-limited flooring. It also makes transport very economical. Variable position stabilizer legs, zero tail swing and compact dimensions allow it to set up almost anywhere.



The incredibly compact dimensions of the Omme allow it to be driven up narrow ramps.



Being radio-controlled, the Omme can be carefully maneuvered through tight areas safely.



The soft non-marking rubber tracks ensure there is no damage to expensive flooring.



Being able to safely elevate on sloping terrain, the Omme is just as at home off-road making it the ideal machine for tasks such as bridge maintenance and tree lopping in all types of areas.



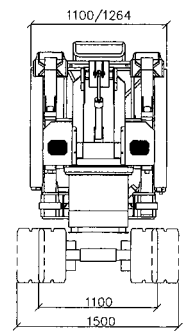
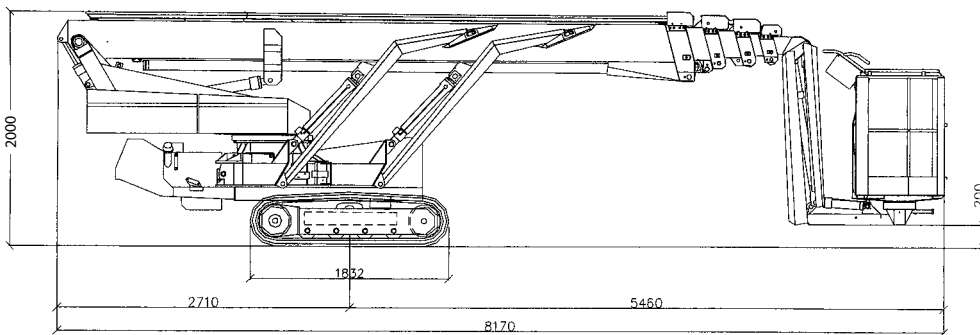
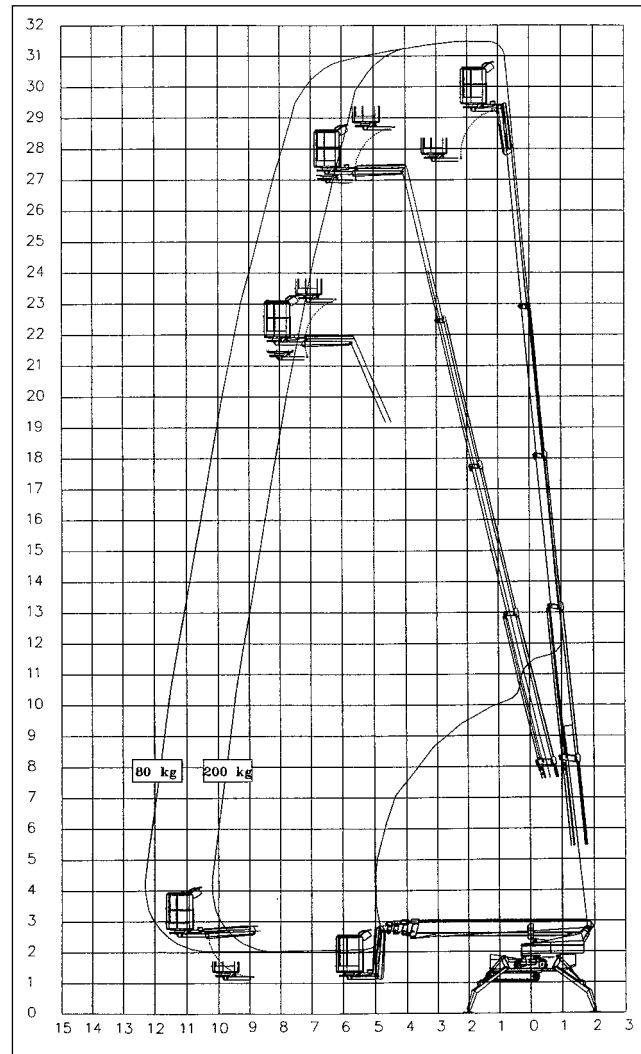
Driven into position, the legs are quickly set up and away we go to previously inaccessible sections of the building.

Max Working Height (m)	31.10
Max Platform Height (m)	29.10
Max working height (m) w/ legs narrow set	30.6
Max Horizontal Working Outreach (m)	12.60
Max Horizontal Outreach to edge of basket (m)	12.10
Lift Capacity / SWL (kg)	200
Weight / Outreach Limited (Yes/No)	Yes
Turret Rotation	800°
Basket Rotation	82°
Length with basket (m)	8.17
Length w/out basket (m)	7.4 (Optional)
Width stowed tracks (m)	1.10
Height (m) stowed	2.0
Basket Dimensions	1.25 x 0.8
Total Weight (kg)	4300 w/ exp tracks
Max ground pressure tyres/tracks w/ full contact area on hard surface (approx)	57.9 kN/m ²
Max stabilizer force	25 kN
Max stabilizer pressure with std foot pad	196 kN/m ²
Gradeability length-wise	35% / 19.3 degrees
Gradeability sideways	35% / 19.3 degrees w/ tracks expanded
Stabilizer set-up dimensions	4.78 min / 5.32 max x 4.78 min / 5.32 max o/o
Narrow set-up dimensions	2.94 min / 3.21 max x 5.91 min / 6.64 max o/o
Max slope for stabilizers	21.8 degrees
Stabilization system	Auto
Standard Power Source/s	Kubota 20 HP Diesel & 24 Volt Battery System
Optional Power Sources	
Drive system	Tracks
Expanding tracks	Option
Drive speed km/h	
2 Speed Drive	No
Remote drive control	Radio std
Battery voltage	24 / 200 Ah
Basket load control	Boom moment control
Electric & Air outlets in basket	Electric std
Electric emergency lowering	Option

Complies with AS1418.10

(E & OE.)

SPECIFICATIONS



Expandable track option.



1300 55 11 08

SYDNEY
81 Bourke Street
Alexandria NSW 2015

MELBOURNE
73 Waterview Close
Dandenong VIC 3175

BRISBANE
94 Taylor Street
Bulimba QLD 4171