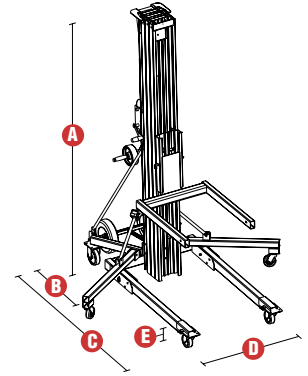


Specifications

MODELS	SLC™-12		SLC™-18		SLC™-24	
MEASUREMENTS	Metric	US	Metric	US	Metric	US
Working height:						
standard forks - forks down	3.40m	11 ft 2 in	5.10m	16 ft 9 in	6.78m	22 ft 3 in
standard forks - forks up	3.94m	12 ft 11 in	5.64m	18 ft 6 in	7.32m	24 ft
adjustable forks - forks down	3.40m	11 ft 2 in	5.10m	16 ft 9 in	6.78m	22 ft 3 in
adjustable forks - forks up	3.94m	12 ft 11 in	5.64m	18 ft 6 in	7.32m	24 ft
boom**	3.70m	12 ft 2 in	5.41m	17 ft 9 in	7.10m	23 ft 3 in
A Height - stowed	2.18m	7 ft 2 in	2.18m	7 ft 2 in	2.18m	7 ft 2 in
B Length- stowed	0.86m	2 ft 10 in	0.86m	2 ft 10 in	0.86m	2 ft 10 in
C - operating	1.60m	5 ft 3 in	1.85m	6 ft 1 in	2.06m	6 ft 9 in
D Width - stowed*	0.80m	2 ft 7.5 in	0.80m	2 ft 7.5 in	0.80m	2 ft 7.5 in
- with stabilizers lowered	1.68m	5 ft 6 in	1.68m	5 ft 6 in	1.68m	5 ft 6 in



PRODUCTIVITY						
Load capacity:						
14 in (36cm) load centre	295kg	650lbs	295kg	650lbs	295kg	650lbs
24 in (61cm) load centre	193kg	425lbs	193kg	425lbs	193kg	425lbs
42 in (107cm) load centre	82kg	180lbs	73kg	160lbs	73kg	160lbs
E Ground clearance	0.05m	2 in	0.05m	2 in	0.05m	2 in
Load height minimum	0.15m	6 in	0.15m	6 in	0.15m	6 in

POWER						
Average cranks:						
standard winch	27.8 cranks/m	8.5 cranks/ft	27.8 cranks/m	8.5 cranks/ft	27.8 cranks/m	8.5 cranks/ft
two speed winch, high	13.1 cranks/m	4 cranks/ft	13.1 cranks/m	4 cranks/ft	13.1 cranks/m	4 cranks/ft
two speed winch, low	49.2 cranks/m	15 cranks/ft	49.2 cranks/m	15 cranks/ft	49.2 cranks/m	15 cranks/ft

WEIGHT						
	102kg	225 lbs	139kg	307 lbs	157kg	347 lbs

LOAD HANDLING ATTACHMENTS				
MEASUREMENTS	Metric	US	Weight - Metric	Weight - US
Standard forks (l/w/d)***	71 x 58 x 6 cm	28 x 23 x 2.5 in	12 kg	26.5 lbs
Adjustable forks (l/w/d)***	70 x 30-76 x 6 cm	27.5 x 12-30 x 2.5 in	24 kg	52.5 lbs
Fork extensions detached (each) (l/w/d)***	76 x 5 x 8 cm	30 x 2 x 3 in	2 kg	4.5 lbs
Fork extensions attached (each) (l/w/d)***	64 x 5 x 8 cm	25 x 2 x 3 in	2 kg	4.5 lbs
Boom (l/w/d)***	46-107 x 4 x 15 cm	18-42 x 1.5 x 6 in	18 kg	39.9 lbs
Pipe cradle (l/w/d)***/*	69 x 61 x 15.2 cm	27 x 24 x 6 in	4.5 kg	10 lbs
Load platform (l/w/d)***	67 x 58 x 6 cm	26.3 x 23 x 2.5 in	14 kg	31.5 lbs

* Outside dimensions.
 ** Measured from ground to bottom of shackle.
 *** Length/Width/Depth.
 **** Handles round objects up to 76 cm (30 in) in diameter.

Features

STANDARD FEATURES

MEASUREMENTS

SLC™ -12

- 3.94 m (12 ft 11 in) maximum working height
- Up to 295 kg (650 lbs) lift capacity

SLC™ -18

- 5.64 m (18 ft 6 in) maximum working height
- Up to 295 kg (650 lbs) lift capacity

SLC™ -24

- 7.32 m (24 ft) maximum working height
- Up to 295 kg (650 lbs) lift capacity

PRODUCTIVITY

- Standard forks
- Heavy-duty design
- Strong, lightweight aluminum telescoping mast
- Single door access
- Quick set up requires no tools
- Interchangeable load handling attachments
- Non-marking 10cm (4 in) front casters and 13cm (5 in) rear casters with side brakes
- Rear transport wheel assembly
- Glide rails allow easy loading and unloading, on or off a vehicle, for transport
- Hold-down bar secures mast assembly during transport
- Captive stabiliser set (standard on SLC™ -18, -24)
- Standard base

POWER

- One speed manual winch

OPTIONS & ACCESSORIES

PRODUCTIVITY

- Boom
- Adjustable forks
- Fork extensions
- Pipe cradle
- Load platform
- Stabiliser set (option on SLC™ -12)

POWER OPTIONS

- Two speed manual winch

