

MAIN SPECIFICATIONS

Model		7FG10 7FD10	7FG15 7FD15	7FG18* 7FD18*	7FG20 7FD20	7FG25 7FD25	7FG30 7FD30	7FGJ35 7FDJ35	7FG35 7FD35	7FG40 7FD40	7FG45 7FD45	7FGA50* 7FDA50*
Engine Model		5K 1DZ-II	(5K), 4Y 1DZ-II	4Y 1DZ-II	5K, 4Y 1DZ-II, 2Z	5K, 4Y 1DZ-II, 2Z	4Y 1DZ-II, 2Z	4Y 2Z	1FZ 13Z	1FZ 13Z	1FZ 13Z	1FZ 13Z
Load Capacity	kg	1000	1500	1750	2000	2500	3000	3500	3500	4000	4500	5000
Load Center	mm	500	500	500	500	500	500	500	600	600	600	600
Overall Width	A mm	1045	1070 (1045)	1070	1150	1150	1240	1290	1350	1450	1450	1450
Turning Radius(outside)	B mm	1880	1970	1990	2180	2260	2420	2520	2600	2700	2750	2800
Overhead Guard Height	C mm	2030	2030	2030	2060	2060	2120	2130	2140	2235	2235	2235
Length to Fork Face	D mm	2215	2255	2285	2530	2600	2770	2830	2925	3065	3130	3170

NOTE: * Powershift transmission model only.

ENGINE SPECIFICATIONS

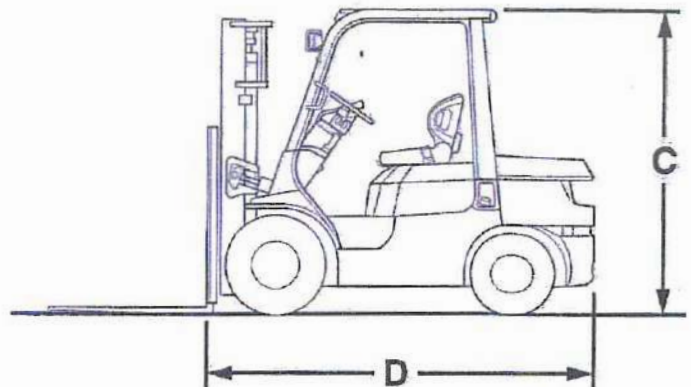
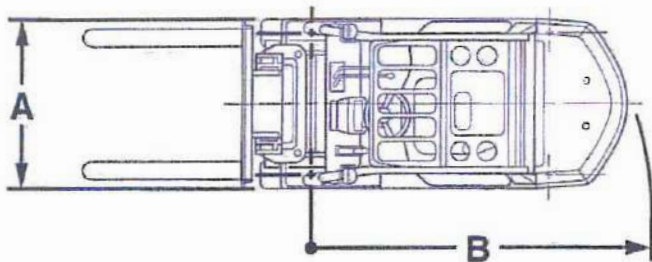
Model		TOYOTA 5K Gasoline	TOYOTA 4Y Gasoline	TOYOTA 1FZ Gasoline
Piston Displacement	cc	1486	2237	4476
Rated Horsepower/r.p.m.	kW	28/2800	40/2400 (43/2600)	62/2100
Rated Torque/r.p.m.	N-m	112/2000	161/1800	294/1200

NOTE: () for 7FG30, 7FGJ35/02-7FG30, 7FGJ35

Model		TOYOTA 1DZ-II Diesel	TOYOTA 2Z Diesel	TOYOTA 13Z Diesel
Piston Displacement	cc	2486	3469	4616
Rated Horsepower/r.p.m.	kW	40/2400 [44/2600]	49/2200	57/2200
Rated Torque/r.p.m.	N-m	166/1600	215/1600	270/1600

NOTE: [] for 60-7FD20, 25, 30/62-7FD20, 25, 30

13Z diesel engine complies with the 2004 european emission regulations.

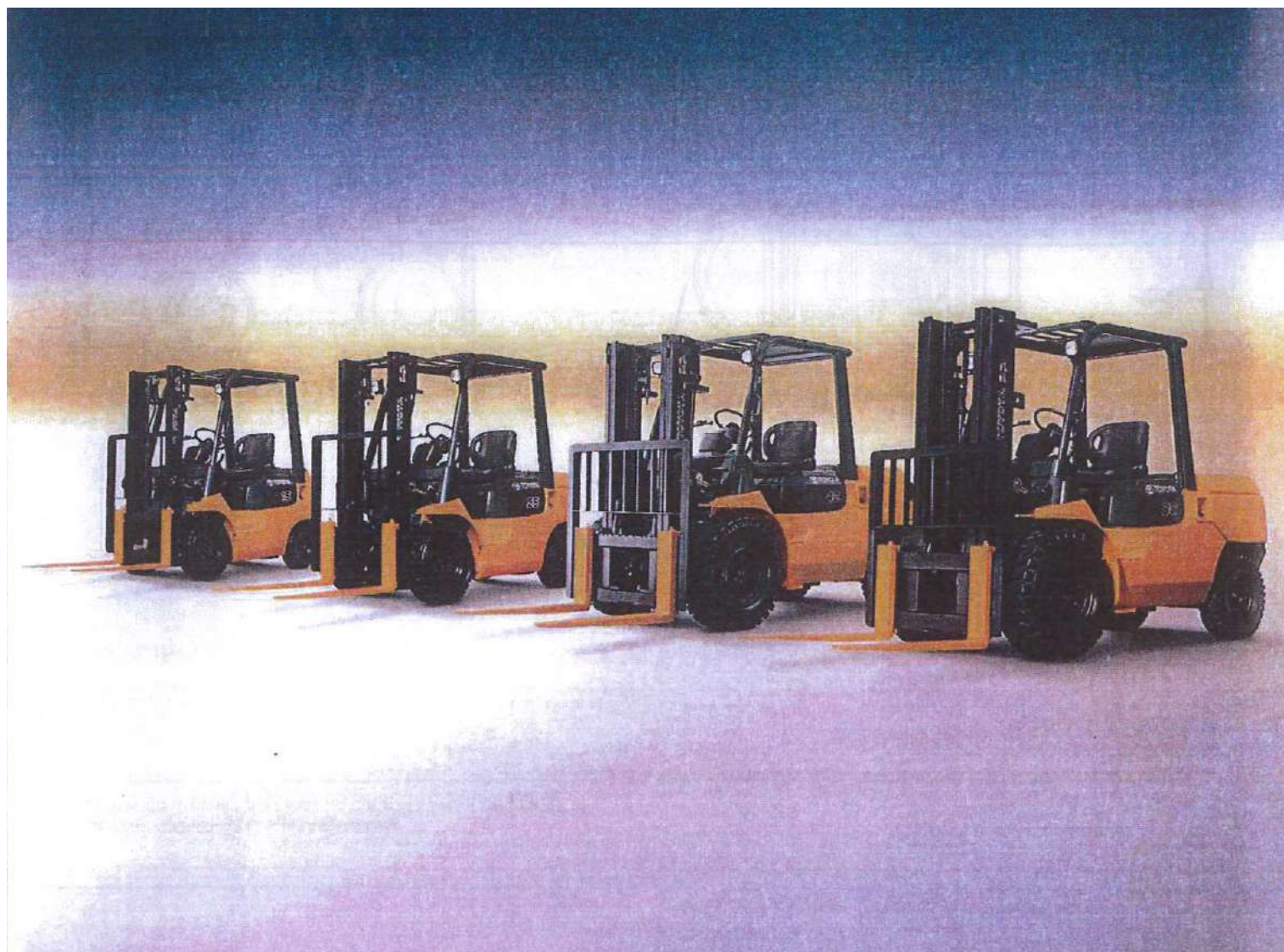


The SAS system may not be available in some areas.
Availability and specifications are determined regionally and are subject to change without notice.
Please consult your Toyota representative for details.

 **TOYOTA 7FG25/7FD25**

ENGINE POWERED FORKLIFT

alfasi hire



alfasi hire

1300 55 1108

www.alfasihire.com.au