



**Precision and flexibility**

- Proportional control of movements
- Hydrostatic transmission and inching pedal

**Compact and versatile**

- Stabilizers lowering on a 2,26 m width
- 5 m length
- Short turning radius
- High safety cab

**Comfort and ergonomoy**

- Driving position reduces fatigue at work
- LMI easy to read with cut off dangerous movements
- Smart control 4 in 1 joystick

Placing height : 10 m

Maximum lift capacity :  
4000 kg

 **PERFORMANCES**

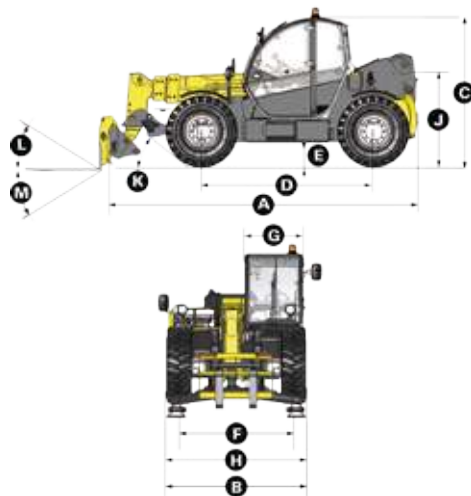
Maximum lift capacity	4000 kg
Lift capacity to full height	2500 kg
Lift capacity at full reach	1000 kg
Maximum fork height	10 m
Reach at maximum fork height	1.8 m
Maximum forward reach	7.2 m

 **DIMENSIONS**

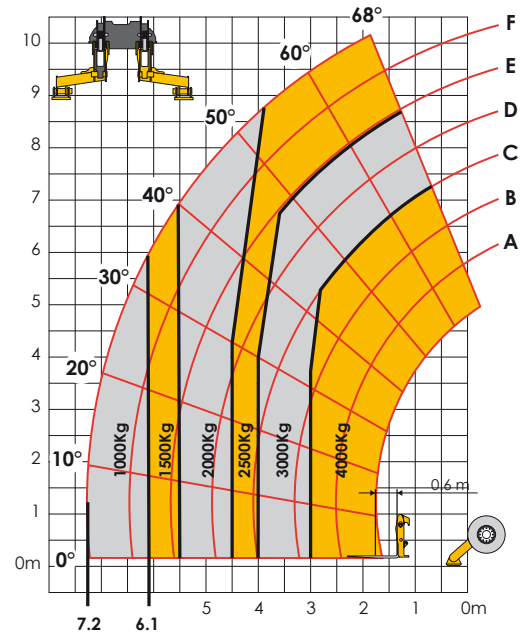
<b>A</b> Length	4.96 m
<b>B</b> Width	2.26 m
<b>C</b> Height	2.42 m
<b>D</b> Wheelbase	2.78 m
<b>E</b> Ground clearance	42 cm
<b>F</b> Track width	1.88 m
<b>G</b> Cab width	0.96 m
<b>H</b> Height to high boom pivot	1.6 m
<b>J</b> Approach angle	30°
<b>K</b> Upper rotation of forks	18°
<b>L</b> Lower rotation of forks	104°
Turning radius (outside wheels)	3.7 m
Weight with forks	8920 kg
Tyres type	405/70 - 24

 **ENGINE**

Engine model	PERKINS
Engine Capacity	4400 cm <sup>3</sup>
Engine power output	70 kW
Engine torque	392 Nm
Transmission type	Hydrostatic
Fuel tank	120 l
Engine oil	103 l



Placing height : 10 m  
Maximum lift capacity : 4000 kg



**STANDARD EQUIPMENT**

- Ⓢ Heavy duty Hydrostatic transmission
- Ⓢ 4 wheel drive and steer
- Ⓢ Fuel filter with water separator
- Ⓢ Gear equipment pump
- Ⓢ Proportional controls for movement of boom/telescopic arm/excavation and accessories
- Ⓢ Safety valves on hydraulic jacks
- Ⓢ Possibility to combine mast/telescopic boom/excavation and accessories movements
- Ⓢ Auxilliary hydraulic ports
- Ⓢ Stabilizers lowering on a 2,26 m width
- Ⓢ ROPS/FOPS cabin with heating and ventilation
- Ⓢ Backlighted e-tronic dashboard

**OPTIONS AND ACCESSORIES**

- Ⓢ Jibs
- Ⓢ Winches
- Ⓢ Buckets
- Ⓢ Cold Weather Package
- Ⓢ Biodegradable oil
- Ⓢ Cold environment oil
- Ⓢ Hot environment oil
- Ⓢ Air conditioning
- Ⓢ Working lights
- Ⓢ Electrically hydraulic controls