

APPLICATIONS

- Landscape contractors
- Brick and block layers
- All maintenance and construction work
- Fencing and railway sleeper contractors
- Building supplies
- Facilities maintenance
- Agriculture

Versatile attachments - choose from a variety of versatile attachments like side-tilt carriage or bucket, to keep productivity high

A spacious cab with easier entry and exit lets you work in greater comfort

Proportional control - operate simultaneous boom movements with a single joystick

74.9kW Deutz high horsepower engine gives you the power you need

Front wheel, all-wheel and crab steer for the access you need

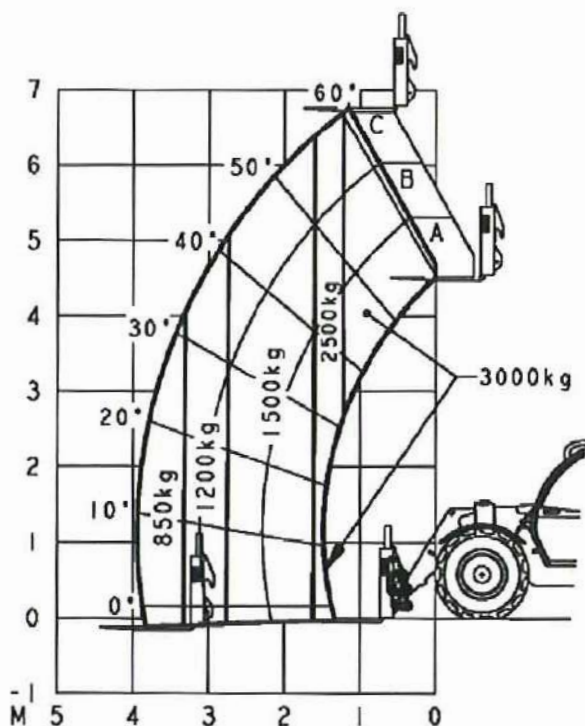
Compact footprint means low machine heights and narrow design gets you in those tight areas

QUESTIONS TO ASK

- What are the ground conditions in the work area?
- What are the site conditions travelling around the site?
- What is the working height needed for the job?
- What is the outreach required for the job?
- What is the rated capacity of the load on forks?
- Do you need to lift a freely suspended load, with a jib?

KEY SELLING POINTS

- Smooth control, proportional hydra-static 4 wheel drive, with two speed ranges
- Proportional lift, telescope and fork tilt
- LMIS system (3B6) for use with jib for freely suspended loads
- Oscillating rear axle, assists 4 wheel drive traction
- Front 2 wheel steer, 4 wheel steer, and crab steer
- Australian specification air conditioning for operator comfort
- Large agricultural lug pattern air filled tyres
- Plug in JLG analyser in the cabin to indicate system functions for servicing and adjustment
- Deutz engine BF4M2012 Turbo. High Speed, 4 cylinder, liquid (water cooled). 75kW /100HP engine with pre-glow and post-glow feature reduces emissions



SPECIFICATIONS

Summary:

Maximum Lift Height	6.9m
Maximum Lift Capacity	3,000kg
Maximum Forward Reach	3.9m
Lift Capacity at Maximum Reach	850kg
Maximum Reach with 1,000kg	3.5m
Lift Height with Maximum Capacity	6.9m

Engine – Standard:

Engine Make	Deutz
Gross Output	74.9kW

Transmission:

Drive	4W
Transmission Type	Hydrostatic
No. of Gears Fwd/Rev	2F - 2R
Maximum Speed	32km/h

Tyres:

Tyres Front Standard, Crossply	405/70-20
Tyres Rear Standard, Crossply	405/70-20
Pneumatic Tyre Type	MPT01 Agri

Chassis:

Chassis Levelling	No
Steering Type	2W/4W/Crab

Hydraulics:

Pump Type	Gear
Maximum Flow	94 ltr/min
No. of Auxiliary Services	1

Capacities:

Fuel Tank	105 Ltr
-----------	---------

Static Dimensions:

Length to Front of Carriage	4.92m
Overall Width	2.3m
Height Over Cab	2.35m
Wheelbase	2.9m
Ground Clearance	0.46m
Turn Radius Over Tyres	4.4m
Weight	7,500kg

Performance - General:

Load Centre	0.6m
-------------	------

Performance - Unstabilised:

Height with Maximum Capacity	6.9m
Capacity at Full Height	3,000kg
Capacity at Maximum Reach	850kg
Maximum Reach with 1,000kg	3.1m