



Weighing only 5.3 tonnes, this Omme is incredibly light for a machine that provides a 37m working height and an increased S.W.L. of 250kg.



Horizontal outreach is now up to a huge 14 metres. (or 12.3m with 250kg).



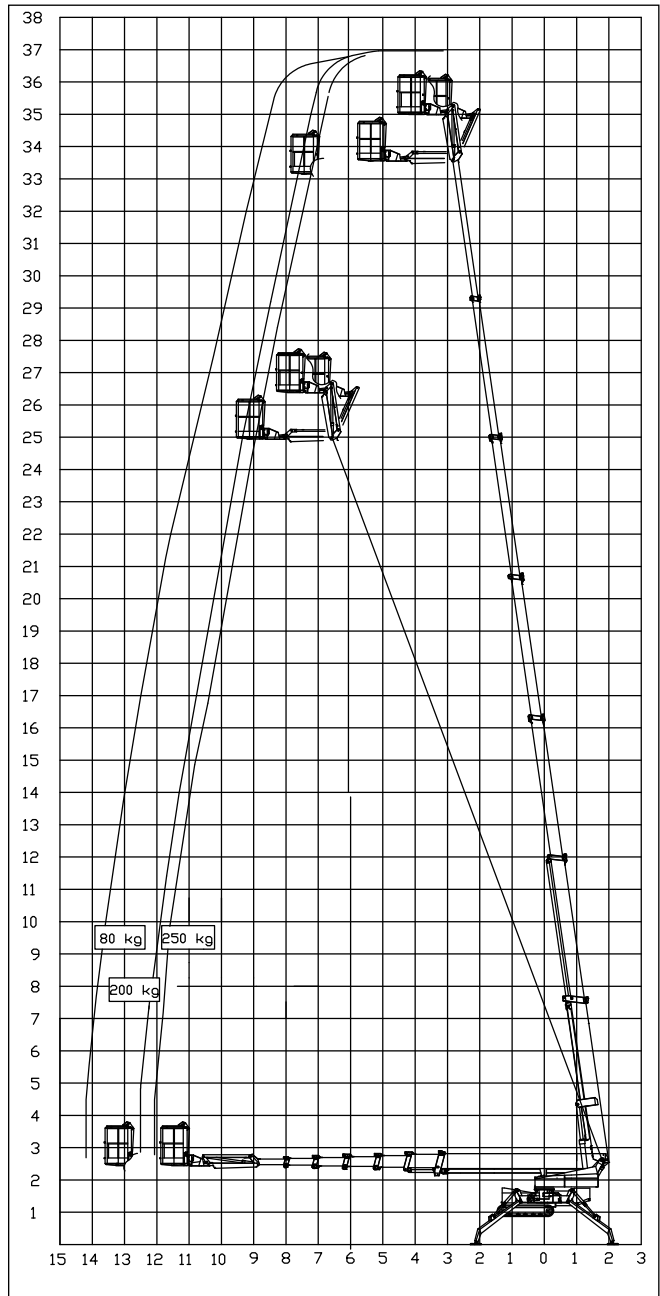
Like most of the Ommes in Australia, the 3700RBDJ is a dual power machine, combining a powerful 3 cylinder water cooled Kubota diesel engine with a double-sized battery system.



The 3700 RBDJ can be elevated to full height in only 2 mins 50!

|  |   |
|--|---|
| Max Working Height (m)   | 37.00   |
| Max Platform Height (m)  | 35.00   |
| Max working height (m) w/ legs narrow set                                      | 28.50   |
| Max Horizontal Working Outreach (m)  | 14.00   |
| Max Horizontal Outreach to edge of basket (m)                                  | 13.50   |
| Lift Capacity / SWL (kg)   | 250   |
| Weight / Outreach Limited (Yes/No)   | Yes   |
| Turret Rotation  | 710°  |
| Basket Rotation  | 170°  |
| Stabilizers  | Auto Level                                    |
| Length with basket (m)   | 7.93  |
| Length w/out basket (m)  | 7.28  |
| Width stowed tracks (m)  | 1.10  |
| Min Transport Height (m)   | 2 w/ exp tracks                               |
| Basket Dimensions  | 1.25 x 0.8                                    |
| Total Weight (kg)  | 5560 w/ exp tracks                            |
| Max ground pressure tyres/tracks w/ full contact area on hard surface (approx) | 81.4 kN/m <sup>2</sup>                        |
| Max stabilizer force   | 34 kN   |
| Max stabilizer pressure with std foot pad                                      | 275 kN/m <sup>2</sup>                         |
| Gradeability length-wise   | 35% / 19.3 degrees                            |
| Gradeability sideways  | 35% / 19.3 degrees w/ tracks expanded         |
| Stabilizer set-up dimensions   | 4.78 min / 5.32 max x 4.78 min / 5.32 max o/o |
| Narrow set-up dimensions   | 2.94 min / 3.21 max x 5.91 min / 6.64 max o/o |
| Max slope for stabilizers  | 19.3 degrees                                  |
| Standard Power Source/s  | Kubota 20 HP Diesel & 24 Volt Battery System  |
| Optional Power Sources   | 240 volt                                      |
| Drive system   | Tracks  |
| Expanding tracks   | Std   |
| Drive speed km/h   | 2.5   |
| 2 Speed Drive  | Yes   |
| Remote drive control   | Radio std                                     |
| Battery voltage  | 24 / 400 Ah                                   |
| Basket load control  | Boom moment control                           |
| Electric & Air outlets in basket   | Electric std                                  |
| Electric emergency lowering  | Std   |

### SPECIFICATIONS



Complies with AS1418.10

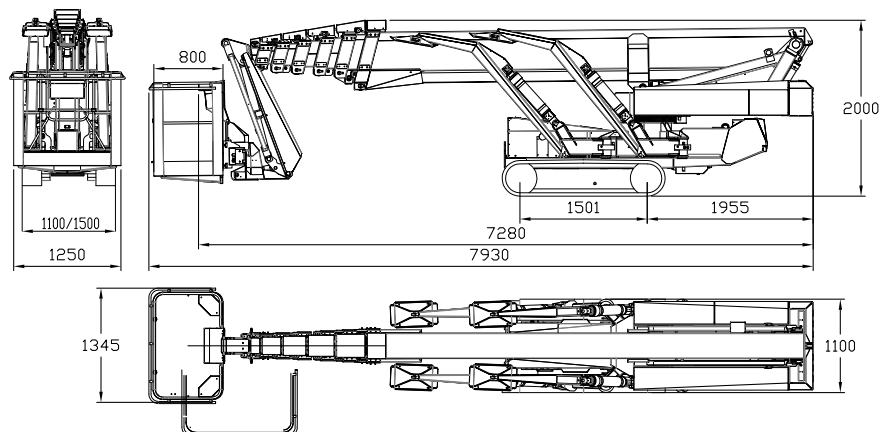
(E & OE.)



Expandable tracks are standard on the 3700 RBDJ making it ideal for sloping ground and other demanding conditions.



The new fly-jib design provides an increased working range of 133°.



**1300 55 11 08**

**SYDNEY**  
81 Bourke Street  
Alexandria NSW 2015

**MELBOURNE**  
73 Waterview Close  
Dandenong VIC 3175

**BRISBANE**  
94 Taylor Street  
Bulimba QLD 4171