



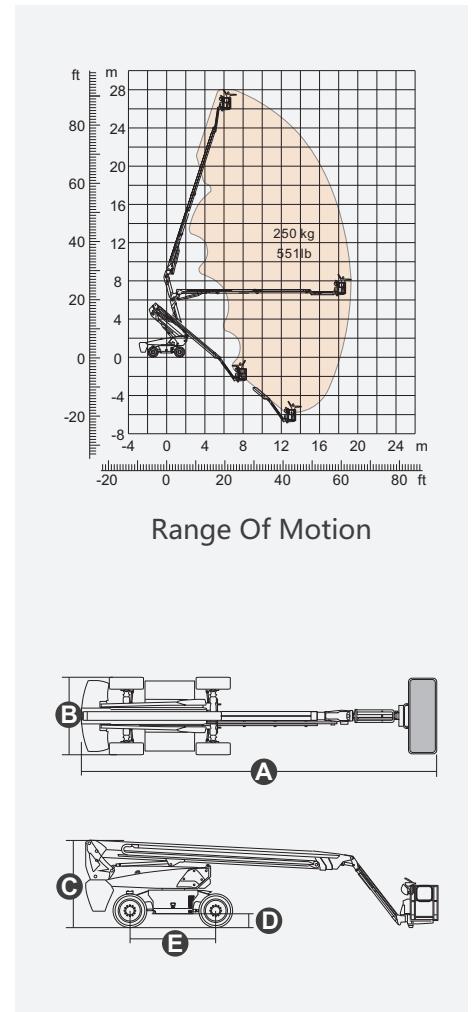
SPECIFICATIONS

Size	Metric	British
Max. Working Height	28.1m	92ft 2in
Max. Platform Height	26.1m	85ft 8in
Max. Operating Range(+0.6m)	19.4m	63ft 8in
Max. Platform Range	18.8m	61ft 8in
Overall Length(Stowed) A	11.83m	38ft 10in
Overall Length(Transport)	12.03m	39ft 6in
Overall Width(Stowed) B	2.5m	8ft 2in
Overall Width(Transport)	2.28m	7ft 6in
Overall Height(Stowed) C	2.89m	9ft 6in
Overall Height(Transport)	2.61m	8ft 7in
Platform Size(Length×Width)	2.44m×0.91m	8ft×3ft
Turntable Tailswing	1.61m	5ft 3in
Ground Clearance D	0.41m	1ft 4in
Wheelbase E	2.8m	9ft 2in
Turning Radius(Inside/Outside)	1.87m/3.22m	6ft 2in/10ft 7in
Tyres	385/45-28	385/45-28
Up And Over Clearance	9.14m	30ft
Max. Down Probing Depth	6.61m	21ft 8in

Performance		
S.W.L	250kg	551lb
Max. Occupants	2	2
Gradeability	30%	30%
Travel Speed(Stowed)	6km/h	6km/h
Travel Speed(Raised)	1.1km/h	1.1km/h
Max. Working Slope	X-5°/Y-5°	X-5°/Y-5°
Turret Rotation	360°Continuous	360°Continuous
Platform Rotation	180°	180°
Jib Movement	135°	135°

Weight		
Overall Weight	18400kg	40565lb

Power		
Lithium Battery	520Ah/80V	520Ah/80V
Charger	90-264VAC 6.6kW	90-264VAC 6.6kW
Driving Motor	18kW 3243rpm	18kW 3243rpm
Lifting Motor	24kW 2150rpm	24kW 2150rpm
Hydraulic Tank	165L	36gal





FEATURES

Standard Items

- 2.31m (7ft 7in) Jib Boom
- Front Oscillating Axle
- Four-Wheel Steering
- Four-Wheel Drive
- Self-Leveling Platform
- 180° Left And Right Swing Platform
- Proportional Joystick Controls
- Thumb Rocker Steer
- Drive Enable
- Ac Power Cord To Platform
- Tilt Alarm
- Descent Alarm
- Flash
- Horn
- Hour Meter
- Integral Integrated Special Drive Axle For Construction Machinery
- 360° Continuous Turntable Rotation
- Positive Traction Four Wheel Drive
- Platform Load Sense System
- Fault Diagnosis System
- Operator Anti-crushing Protection System
- Harsh Environment Kits (includes Cylinder Sleeves, Boom Dust Kits, Ground And Platform Control Box Covers)
- 12V DC Auxiliary Power
- Lithium battery 520Ah/80V *
- Driving Motor18kW 3243rpm
- Lifting Motor24kW 2150rpm

1300 551 108 | efleet@alfasihire.com.au

Carrum Downs (HQ)
(03) 8795 2999
vic@alfasi.com.au

Hunter Valley, NSW
(02) 9589 6200
hv@alfasi.com.au

Brisbane, QLD
(07) 3370 2800
qld@alfasi.com.au

Karratha, WA
(08) 6187 3000
wa@alfasi.com.au

alfasihire.com.au

Derrimut, VIC
(03) 8795 2999
vic@alfasi.com.au

Sydney, NSW
(02) 9589 6200
nsw@alfasi.com.au

Mackay, QLD
(07) 3370 2800
qld@alfasi.com.au

alfasi group
hire & property